

**SPECIFICATIONS**

TYPE		1	5	D	2
Supply Voltage		12 VDC ±10%	5 VDC ±10%	5 VDC ±10%	24 VDC ±10%
Current		60mA max	80mA max	150mA max	30mA max
Output Voltage	H	≥ 4.0V	Vcc -0.5V	≥ 2.0V	—
	L	≤ 0.4V			
Contact Rating		(Selector switches) 25V max, 0.4VA max			
Resolution		25PPR or 100PPR			
Freq. Response		1000Hz			

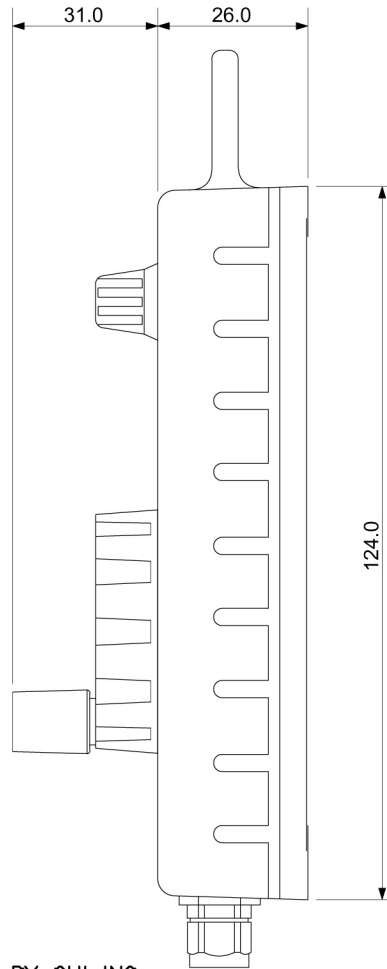
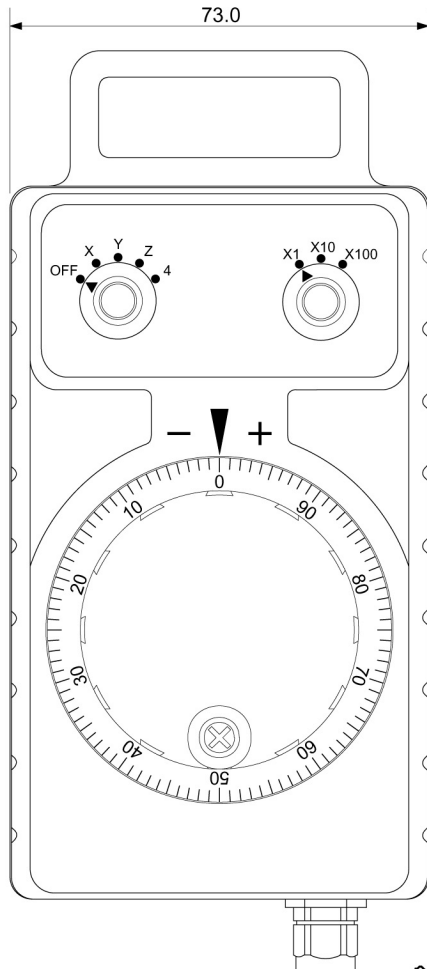
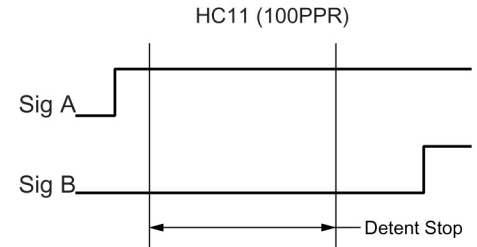
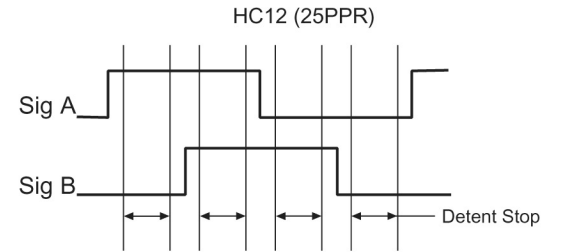
**MECHANICAL**

1. Max Shaft Load: radial: 2 kgf  
axial: 2 kgf
2. Torque: 160 - 320 gf•cm (Pulse Wheel)  
50 - 150 gf•cm (Switches)
3. Life: 10<sup>6</sup> cycles (Pulse Wheel)  
50,000 cycles (Switches)

**ENVIRONMENTAL**

1. Operating Temp: -10° to +60° C
2. Storage Temp: -40° to +70° C
3. Humidity: ≤85% RH, no condensation
4. Vibration: 10~55 Hz, 1.5 mm, 2 hrs
5. Shock: 50G, 11ms, 3 axes, 3 reps

**Output Waveform**



COPYRIGHT 1997 BY CUI INC.

**Ordering Information**

Resolution:  
1 = 100PPR  
2 = 25PPR

Input:  
1 = 12V  
5 = 5V  
D = 5V (Differential)  
2 = 24V

Axis Selector Switch  
A = OFF XY Z 4  
B = OFF XY Z 4 5  
C = OFF XY Z 4 5 6  
D = OFF XY Z 4 5 6 7  
E = OFF XY Z 4 5 6 7 8  
F = OFF XY  
G = OFF XY Z

HC1 [ ] [ ] [ ] [ ] [ ] [ ]

Connectors:  
0 = None  
1 = One end  
2 = Both ends  
3 = Custom

Coil Cord:  
0 = None  
1 = 2M Cord  
2 = 3M Cord  
3 = 5M Cord  
4 = 4M Cord

Knob:  
C = Blank  
D = Custom Logo

H = XY  
J = XY Z  
K = XY Z 4  
L = XY Z 4 5  
M = XY Z 4 5 6  
N = XY Z 4 5 6 7  
P = XY Z 4 5 6 7 8

 <b>CUI INC</b> 9615 SW Allen Blvd. #103 Beaverton, OR 97005 Tel: 503/643-4899 FAX: 503/643-6129			
DRAWN BY	UPDATED	CHECKED	RELEASED
	10/07/04	10/07/04	
PART NO. <b>HC1XXXXXX</b>			REV. <b>A</b>